

# Door Styles

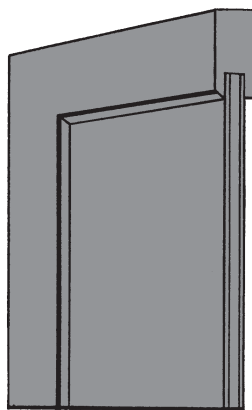
Kitchen Kompact, Inc.  
911 E. 11th St. (47130)  
P.O. Box 868  
Jeffersonville, IN 47131-0868  
TEL: 812/282-6681  
FAX: 812/282-7880  
www.kitchenkompact.com



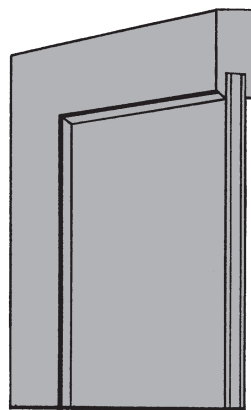
**Glenwood and Warmwood:** Shaker style door frames are made of solid beech mortised and tenoned. The recessed plywood insert is three-ply with a rotary cut hard maple veneer. Face frames are built using a mixture of solid beech and sycamore. Drawer heads have routed finger pulls.

**Bretwood and Mellowood:** Door frames are mortised and tenoned construction of solid hard maple. The recessed plywood insert is three-ply with a rotary cut hard maple veneer. Drawer heads have routed finger pulls.

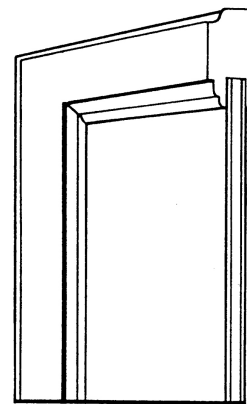
**Chadwood:** Solid Appalachian oak frames are joined by mortise and tenon. The recessed plywood insert is three-ply with a rotary cut red oak veneer. Drawer heads have routed finger pulls.



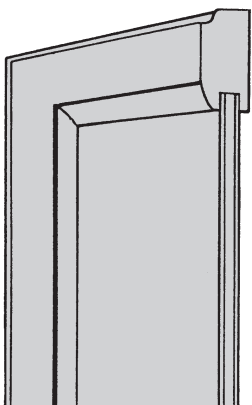
Glenwood



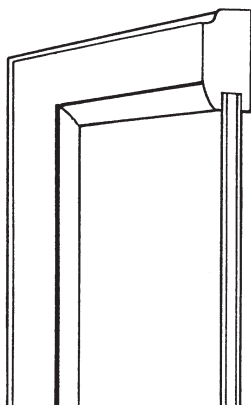
Warmwood



Chadwood



Bretwood



Mellowood

# Wall Cabinets

Kitchen Kompact, Inc.  
911 E. 11th St. (47130)  
P.O. Box 868  
Jeffersonville, IN 47131-0868  
TEL: 812/282-6681  
FAX: 812/282-7880  
www.kitchenkompact.com



**Frames:** All frames are built of solid 3/4" hardwoods. Each rail is kiln-dried, joined by mortise and tenon, then glued for added strength.

**End Panels:** End panels are wood veneered, 1/2" thick engineered wood core plywood, fastened to front frame with tongue-in-groove construction.

**Backs:** 1/8" hardboard recessed in sides.

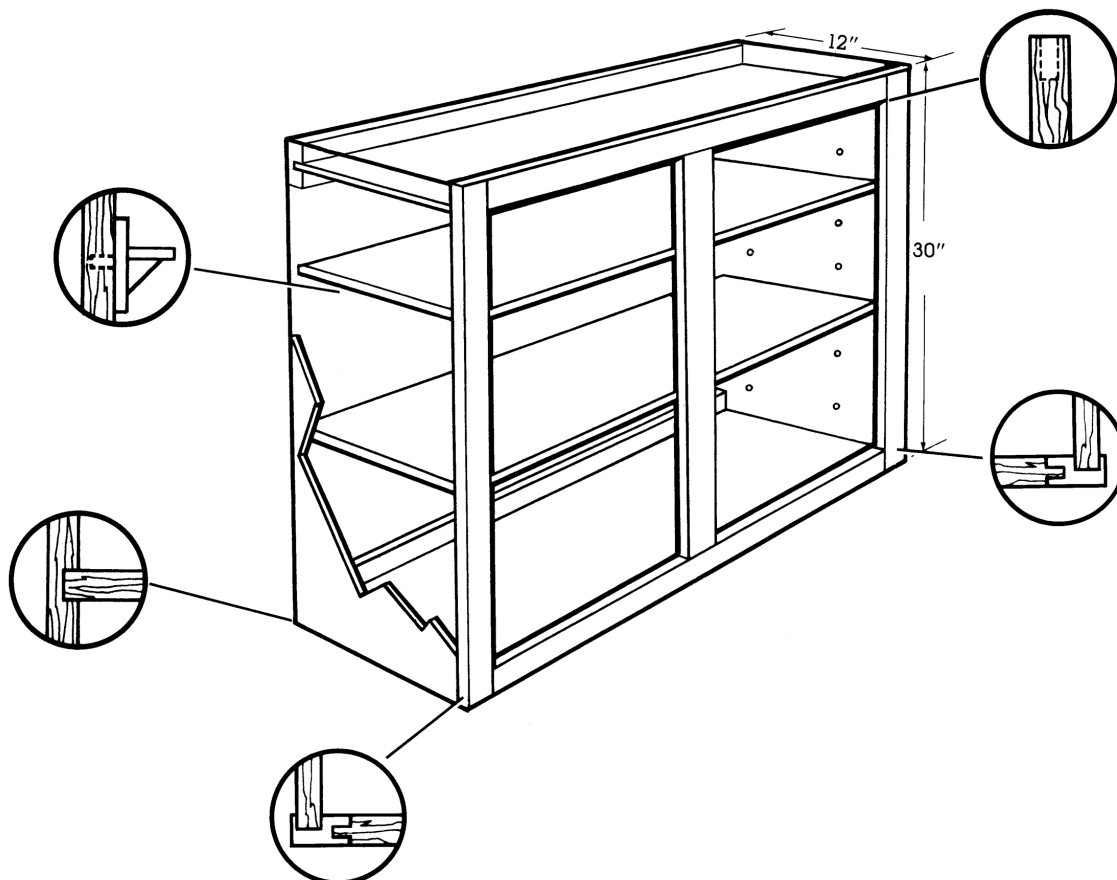
**Tops & Bottoms:** 3/16" hardboard dadoed into sides, interlocked into hanging rails of all wall units, and secured with an adhesive for added strength.

**Hanging Rails:** Solid wood, 3/4" x 2-5/8", located at top and bottom.

**Shelves:** All wall cabinets feature adjustable shelves. A selection of six different heights is built into each 30" high and taller wall cabinet. On 2-door wall units, the center 3" stile is used for center support of adjustable shelves. It is recommended that a 1/4" hole be drilled in the back for additional center support. The extra shelf clip is provided. Shelves are 1/2" engineered wood, with rounded front edge and printed wood grain.

**Hardware:** Chadwood, Bretwood, Mellowood, Glenwood and Warmwood feature concealed self-closing hinges — no door pulls included.

**Finish:** A 4-step process is applied to the exterior finish of all Kitchen Kompact cabinets: Stain, Sealer, Sanding, and Catalyzed Top Coat. This finish is resistant to household chemicals such as water, beverages, mild acids — even nail polish.



# Base Cabinets

Kitchen Kompact, Inc.  
911 E. 11th St. (47130)  
P.O. Box 868  
Jeffersonville, IN 47131-0868  
TEL: 812/282-6681  
FAX: 812/282-7880  
www.kitchenkompact.com



**Frames:** All frames are built of solid 3/4" hardwoods. Each rail is kiln-dried, joined by mortise and tenon, then glued for added strength.

**End Panels:** End panels are wood veneered, 1/2" thick engineered wood core plywood, fastened to front frame with tongue-in-groove construction.

**Backs:** 1/8" hardboard, recessed in sides.

**Bottoms:** 3/16" hardboard dadoed into sides and power nailed into supporting strips.

**Hanging Rails:** Solid wood, 3/4" x 1-1/2", located at top.

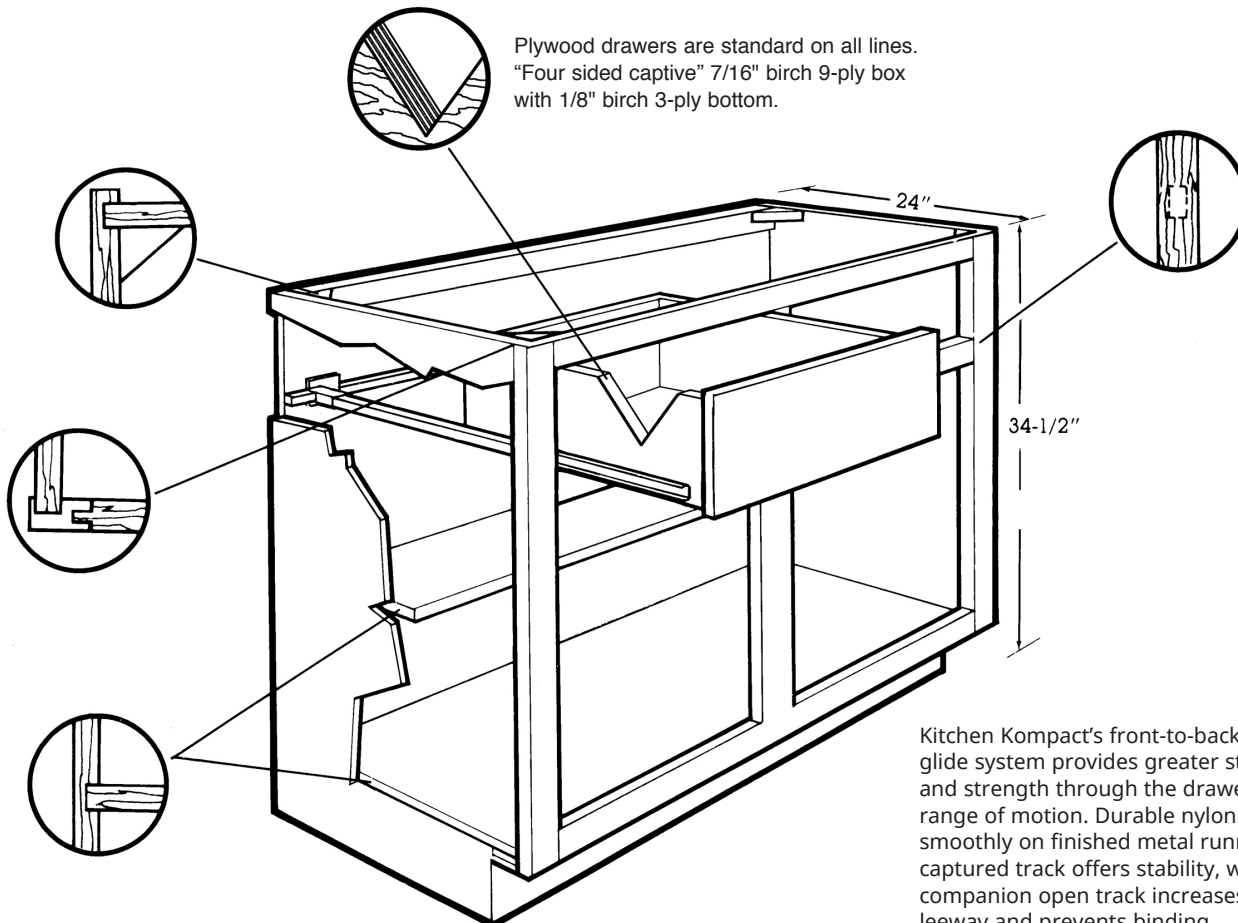
**Corners:** Wood blocks glued and power nailed.

**Toe Kick:** 3/4" pine.

**Shelf:** 1/2" engineered wood 11" deep dadoed into sides, with rounded front edge and printed wood grain.

**Hardware:** Chadwood, Bretwood, Mellowood, Glenwood and Warmwood feature concealed self-closing hinges — no door pulls included.

**Finish:** A 4-step process is applied to the exterior finish of all Kitchen Kompact cabinets: Stain, Sealer, Sanding, and Catalyzed Top Coat. This finish is resistant to household chemicals such as water, beverages, mild acids — even nail polish.



# Lazy Susan

Kitchen Kompact, Inc.  
911 E. 11th St. (47130)  
P.O. Box 868  
Jeffersonville, IN 47131-0868  
TEL: 812/282-6681  
FAX: 812/282-7880  
www.kitchenkompact.com



**Frames:** All frames are built of solid 3/4" hardwoods. Each rail is kiln-dried, joined by mortise and tenon, then glued for added strength.

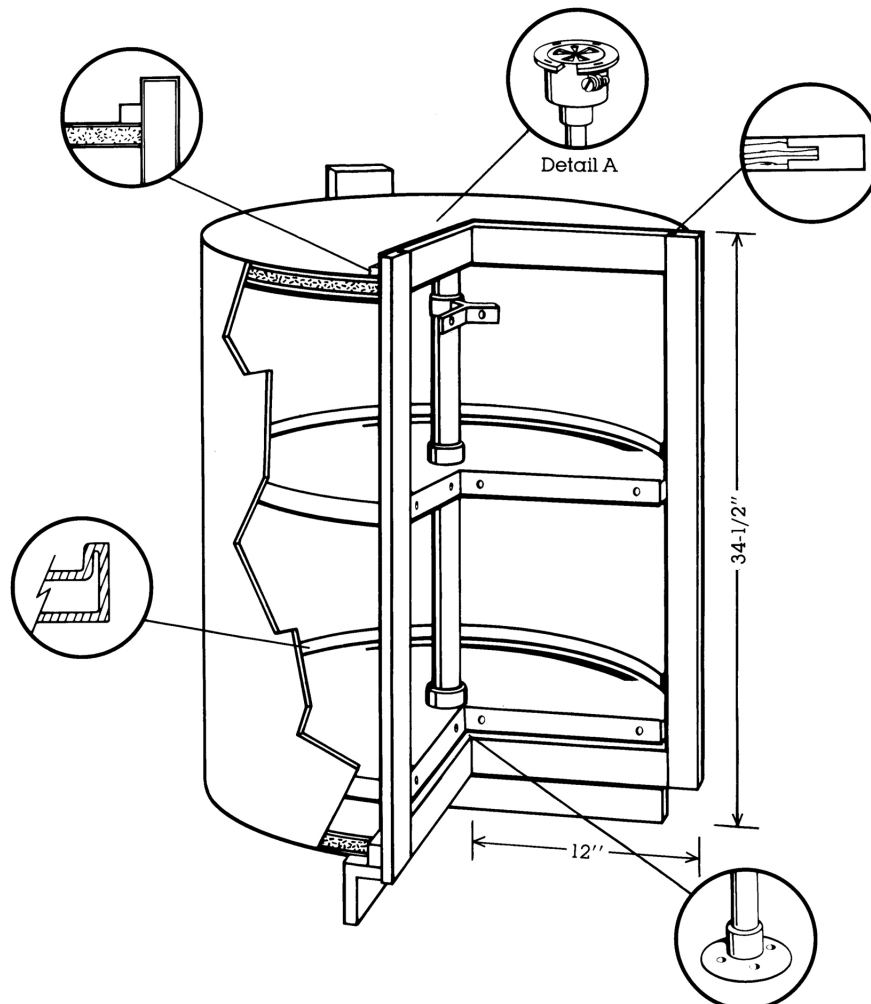
**End Panels:** Not required unless cabinet is used at the end of a run.

**Toe Kick:** 3/4" pine.

**Shelf:** Double-walled high impact polystyrene shelves have internal struts for maximum strength.

**Hardware:** Engineered with an adjustable mechanism (detail A) for aligning the vertical and rotational position of cabinet doors within the cabinet frame. The nylon gear and cam mechanism requires no lubrication.

**Finish:** A 4-step process is applied to the exterior finish of all Kitchen Kompact cabinets: Stain, Sealer, Sanding, and Catalyzed Top Coat. This finish is resistant to household chemicals such as water, beverages, mild acids – even nail polish.



# ADA Accessible Cabinets

Kitchen Kompact, Inc.  
 911 E. 11th St. (47130)  
 P.O. Box 868  
 Jeffersonville, IN 47131-0868  
 TEL: 812/282-6681  
 FAX: 812/282-7880  
 www.kitchenkompact.com



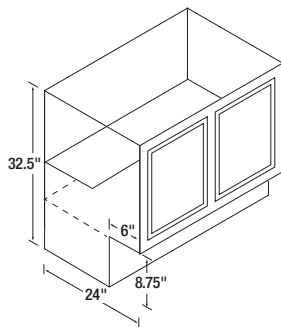
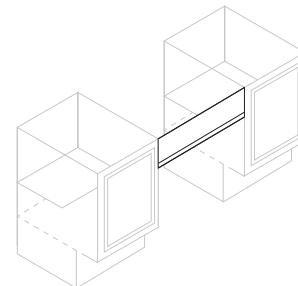
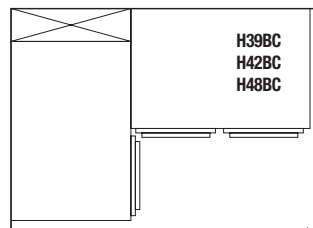
Kitchen Kompact offers 32-1/2" high base cabinets to help comply with ADA (Americans with Disabilities Act) requirements. Such cabinets are especially important for multi-family projects subject to HUD and FHA funding. Kitchen Kompact will only provide ADA accessible cabinets on multi-family projects where the ADA accessible cabinets are 10% or less of the entire project. These cabinets are special order and are available in all door styles. Please allow a minimum of two weeks for delivery. **Price is plus 15% over standard base cabinet.**



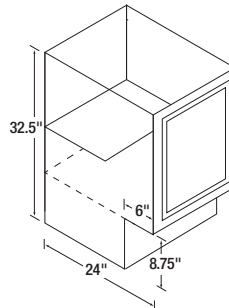
## Handicapped Design Cabinets

Handicapped design cabinets include:

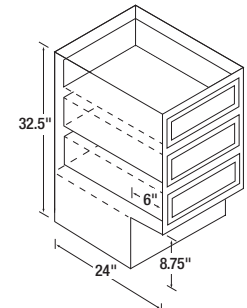
- Height of 32.5"
- Toe Kick is 8.75"
- No drawers



H30B  
 H36B  
 H42B  
 H48B



H12B  
 H15B  
 H18B  
 H21B  
 H24B

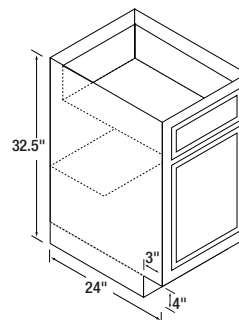
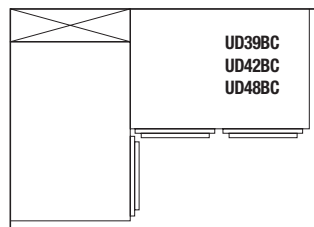


H15D  
 H18D  
 H24D

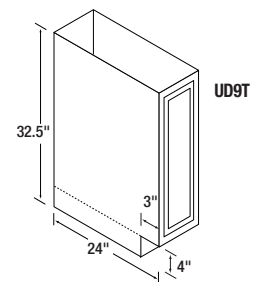
## Universal Design Cabinets

Universal design cabinets include:

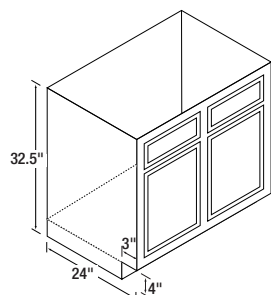
- Height of 32.5"
- Standard 4" Toe Kick
- Functioning drawers



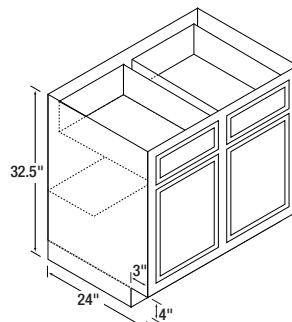
UD12B  
 UD15B  
 UD18B  
 UD21B  
 UD24B



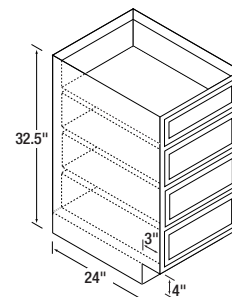
UD9T



UD30RBS  
 UD36RBS  
 UD42RBS



UD30B  
 UD36B  
 UD42B  
 UD48B



UD15D  
 UD18D  
 UD24D